

# Flashni With Xenon Sounder

The Flashni is an audible and visual device which requires one single installation point. This greatly reduces installation costs and is less obtrusive than two separate devices. Versions are available with the sounder and beacon linked, or with separate terminals for independent operation.



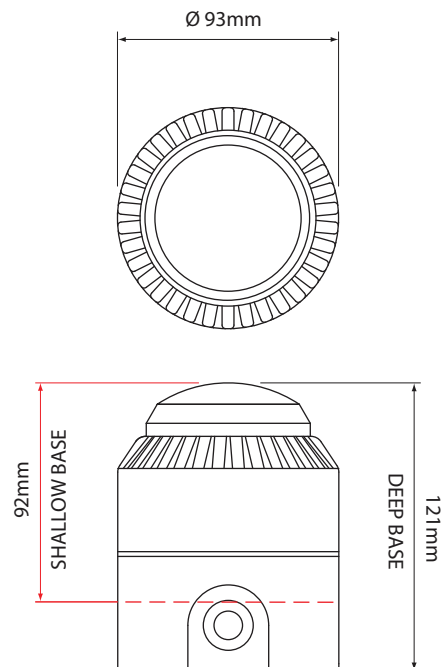
## Technical Specification

Voltage	9 - 15Vdc (12Vdc version) 18 - 28Vdc (24Vdc version) (*1)
Current	110mA 12Vdc version (Typical Tone 5) 68mA 24Vdc version (Typical Tone 3)
Sound Output	103dB(A) 12Vdc (Typical Tone 5) 101dB(A) 24Vdc (Typical Tone 3)
Tones	32
Flash Power	0.7j
Flash Rate	1Hz
Volume Control	10dB
Monitoring	Reverse polarity
Temperature	- 10°C to + 55°C
Protection	IP54 (s)* IP65 (d)*
Construction	ABS, PC lens
Weight	0.33Kg
Colours	Red or white
Lens Colour	Red, amber, blue, green or clear

(\*1) 110 / 230Vac when used with a Deep powered base.

(s)\* Shallow Base

(d)\* Deep / U Base



## Features

- 32 tones (user selectable)
- 12V or 24V
- Secure clip fit base
- Volume control

## Benefits

- Fire approved and Signalling tone options
- For Fire, Security and Signalling
- Quick fitting for easy installation
- Reduce output to suit application



Surefire Services Limited

Unit 4, Barnes Wallis Court, Wellington Road, High Wycombe, Bucks, HP12 3PS

Tel No: 0845 601 4110

Fax No: 0870 622 0773

Email: info@surefire.co.uk

Internet: www.surefire.co.uk